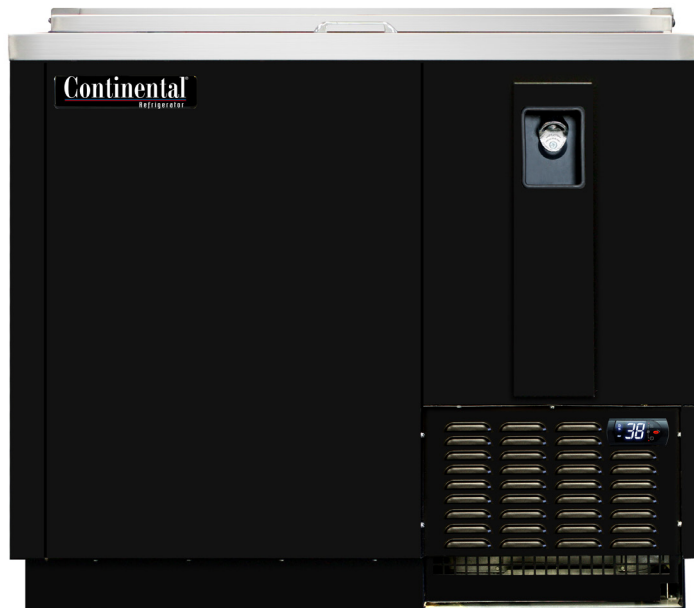


BOTTLE COOLER (38°F - 41°F)

Model: CBC37

37" Bottle Cooler

Textured baked black enamel finish exterior with all stainless steel countertop and slide lid, heavy duty galvanized interior.



Options and Accessories

(upcharge and lead times may apply)

| | |
|------------------------------|---|
| Stainless steel interior | Automatic, electric condensate evaporator |
| Additional wire bin dividers | Casters |
| Lid lock | Adjustable legs |
| Expansion valve system | |

Consult factory for other model configurations, options and accessories.

Project Name:

Model Specified:

Location:

Item No:

Quantity:

AIA #:

SIS #:

Standard Model Features

REFRIGERATION SYSTEM

Environmentally safe R-134a refrigerant

Performance rated refrigeration system

Automatic, energy saving, non-electric condensate evaporator

Full length, extra large coil

Easily accessible and serviceable slide out condensing unit

CABINET ARCHITECTURE

High density, non-CFC polyurethane foamed-in-place insulation

Heavy duty, epoxy coated, adjustable steel wire storage bin dividers

Front, rear and side venting louvers

MODEL FEATURES

Heavy duty cap opener with extra capacity, removable cap catcher

Easily accessible, front mounted cleanout drainage hose

Electronic controller with digital display

Continental
Refrigerator

Toll-Free: 800-523-7138
Phone: 215-244-1400
Fax: 215-244-9579

539 Dunksferry Road
Bensalem, PA 19020
www.continentalrefrigerator.com

APPROVAL:

Model Specifications

DIMENSIONAL DATA

| | |
|--|-----------------|
| Net Capacity (cubic feet) | 10.3 (292 cu l) |
| 12 oz. Bottle Capacity (# cases) | 12 |
| 12 oz. Can Capacity (# cases) | 18 ½ |
| Width, Overall (inches) | 37 (940 mm) |
| Depth, Overall (inches) (including bumpers & cap catcher) | 29 ⅞ (740 mm) |
| Height, Overall (inches) | 33 ½ (851 mm) |
| Number of Slide Lids | 1 |
| Number of Bin Dividers | 2 |

REFRIGERANT DATA

| | |
|-----------------------------|------|
| Condensing Unit Size (H.P.) | ⅓ |
| Capacity (BTU per hour)* | 1800 |

ELECTRICAL DATA

| | |
|--|---------------------|
| Voltage (International) | 115/60/1 (220/50/1) |
| Feed Wires (including ground) | 3 |
| Total Amps (International) | 4.9 (2.3) |
| 10 ft. Cord/Plug [attached] (International) | Yes (No) |

SHIPPING DATA

| | |
|--------------------------|---------------|
| Weight - (pounds) | 265 (120 kg) |
| Height - Crated (inches) | 39 (991 mm) |
| Width - Crated (inches) | 46 (1168 mm) |
| Depth - Crated (inches) | 30 ¼ (768 mm) |

* Rating @ +20°F evaporator, 90°F ambient
Figures in parentheses reflect metric equivalents rounded to the nearest whole unit.



Equipped with one NEMA-5-15P Plug
(varies by country)

Continental
Refrigerator

Toll-Free: 800-523-7138
Phone: 215-244-1400
Fax: 215-244-9579

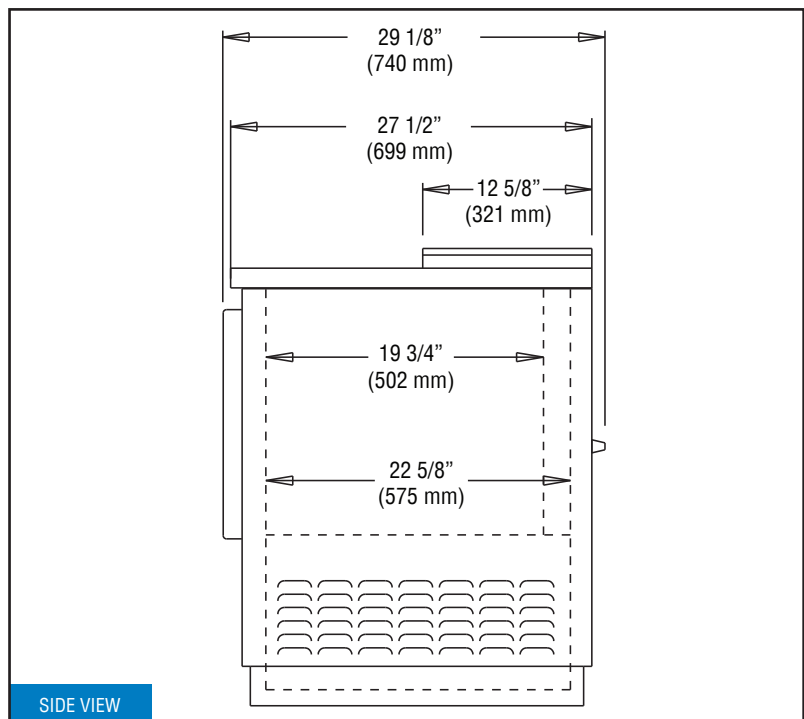
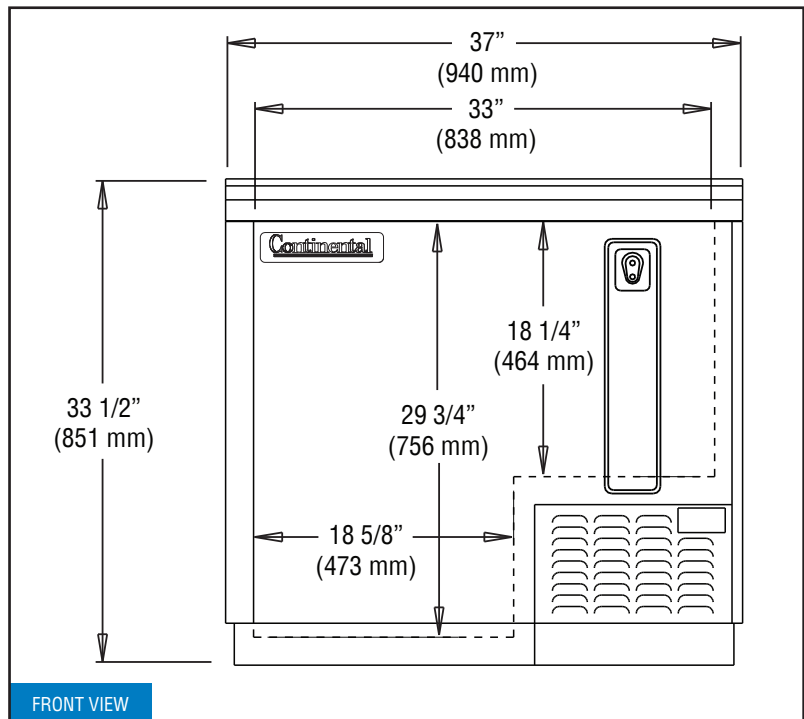
539 Dunksferry Road
Bensalem, PA 19020
www.continentalrefrigerator.com

Due to our continued efforts in developing innovative products, specifications subject to change without notice.



© Copyright 2021. Continental Refrigerator.
A Division of National Refrigeration & Air Conditioning Products, Inc.

Model Plan Views



IMPORTANT NOTE: A minimum clearance of 3" is required on each side, front and rear of cabinet for optimum performance.

REVISED: 5/16/2022